



GPL Series

GPL 1272 Datasheet

12V Top Terminal VRLA-AGM



Valve Regulated Lead Acid (VRLA) Battery

Maintenance-Free, Absorbent Glass Mat (AGM) Technology for Efficient Gas Recombination of up to 99%

Pure Lead Construction and Proprietary Elements

Designed for Float Service Standby Power Applications

Built in Accordance with IEC 61056-1/2:2012 and UL1989 Recognized (MH14533)



Specifications

Voltage (Vdc)	12
Nominal Capacity (1.75 VPC @25°C)	7.2 Ah @20hr-rate
Ah Capacity (8-Hr 1.75 VPC @ 25°C)	6.80
Ah Capacity (20-Hr 1.75 VPC @ 25°C)	7.32
Ah Capacity (8-Hr 1.80 VPC @ 25°C)	6.57
Max Charge Current (A)	2.16
Max Discharge Current (A)	130 *
Short Circuit Current (A)	265
Internal Resistance (mΩ)	Approx. 22.0
Terminal Type	F2 terminal -Faston Tab 250 *
Terminal Torque	--
Container Material	ABS (UL 94-HB) & Flame Retardant (94-V0) available upon request
Weight (kg. / lb., Approx.)	2.60 / 5.73
Length (L) (mm / in)	150.9±2.0 / 5.94±0.08
Width (W) (mm / in)	64.8±1.0 / 2.55±0.04
Height (H) (mm / in)	98.6±1.0 / 3.88±0.04
Design Life	Up to 8 Years in Standby Service at 25°C Eurobat (20°C): 10/12 Years Long Life
Operating Temperature	Nominal: 25°C (77°F) Discharge: -15°C - 50°C (5°F-122°F) Charge/Storage: -15°C - 40°C (5°F - 104°F)
Float Charging Voltage	13.5 - 13.8 Vdc/battery 25°C (77°F)
Eq. Charging Voltage	14.4 - 15.0 Vdc/battery 25°C (77°F)
Self-Discharge	Less than 10% after 90 days, can be stored up to 6 months at 25°C (77°F); Fully recharging is required before usage, and charged sooner if stored at higher temperature than 25°C (77°F).



GPL Series

GPL 1272 Datasheet

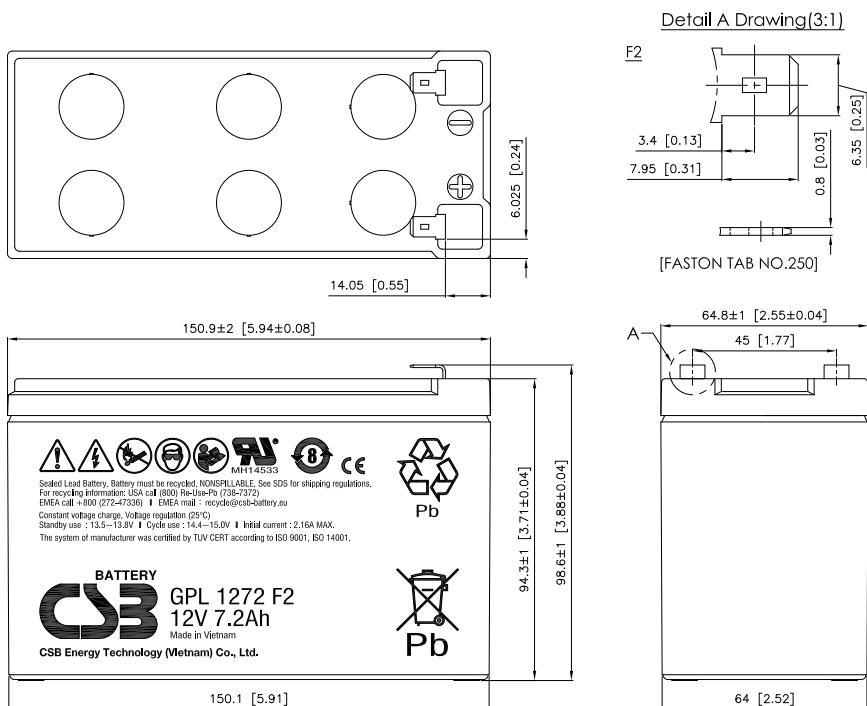
12V Top Terminal VRLA-AGM

Constant Current Discharge Characteristics Unit: A (25°C, 77°F)

F.V/Time	5MIN	10MIN	15MIN	30MIN	60MIN	90MIN	2HR	3HR	5HR	8HR	10HR	20HR
10.02V (1.67 VPC)	30.5	19.8	14.9	8.58	4.96	3.58	2.82	2.04	1.32	0.873	0.713	0.373
10.50V (1.75 VPC)	27.5	18.5	14.3	8.39	4.88	3.53	2.77	1.98	1.28	0.850	0.695	0.366
10.80V (1.80 VPC)	24.7	17.1	13.5	8.11	4.75	3.46	2.70	1.93	1.25	0.821	0.672	0.357

Constant Power Discharge Characteristics Unit: W (25°C, 77°F)

F.V/Time	5MIN	10MIN	15MIN	30MIN	60MIN	90MIN	2HR	3HR	5HR	8HR	10HR	20HR
10.02V (1.67 VPC)	325	217	166	99	57.2	41.4	32.8	23.6	15.5	10.5	8.55	4.43
10.50V (1.75 VPC)	298	206	160	97	56.3	40.9	32.4	23.4	15.3	10.3	8.53	4.35
10.80V (1.80 VPC)	275	194	152	95	55.0	40.0	31.8	23.0	15.2	10.2	8.52	4.27



* F1 terminal is available, Max Discharge Current = 100 A (5sec)



GPL Series

GPL 12120 Datasheet

12V Top Terminal VRLA-AGM

Specifications

Voltage (Vdc)	12
Nominal Capacity (1.75 VPC @25°C)	12 Ah @20hr-rate
Ah Capacity (8-Hr 1.75 VPC @ 25°C)	9.76
Ah Capacity (20-Hr 1.75 VPC @ 25°C)	12.00
Ah Capacity (8-Hr 1.80 VPC @ 25°C)	9.60
Max Charge Current (A)	3.60
Max Discharge Current (A)	180 *
Short Circuit Current (A)	458
Internal Resistance (mΩ)	Approx. 13.2
Terminal Type	F2 terminal -Faston Tab 250 *
Terminal Torque	--
Container Material	ABS (UL 94-HB) & Flame Retardant (94-V0) available upon request
Weight (kg. / lb., Approx.)	4.10 / 9.04
Length (L) (mm / in)	151.0±2.0 / 5.94±0.08
Width (W) (mm / in)	98.0±1.0 / 3.86±0.04
Height (H) (mm / in)	100.3±1.5 / 3.95±0.06
Design Life	Up to 8 Years in Standby Service at 25°C Eurobat (20°C): 10/12 Years Long Life
Operating Temperature	Nominal: 25°C (77°F) Discharge: -15°C - 50°C (5°F-122°F) Charge/Storage: -15°C - 40°C (5°F - 104°F)
Float Charging Voltage	13.5 - 13.8 Vdc/battery 25°C (77°F)
Eq. Charging Voltage	14.4 - 15.0 Vdc/battery 25°C (77°F)
Self-Discharge	Less than 10% after 90 days, can be stored up to 6 months at 25°C (77°F); Fully recharging is required before usage, and charged sooner if stored at higher temperature than 25°C (77°F).



Valve Regulated Lead Acid
(VRLA) Battery

Maintenance-Free, Absorbent
Glass Mat (AGM) Technology for
Efficient Gas Recombination of
up to 99%

Pure Lead Construction and
Proprietary Elements

Designed for Float Service
Standby Power Applications

Built in Accordance with IEC
61056-1/2:2012 and UL1989
Recognized (MH14533)





GPL Series

GPL 12120 Datasheet

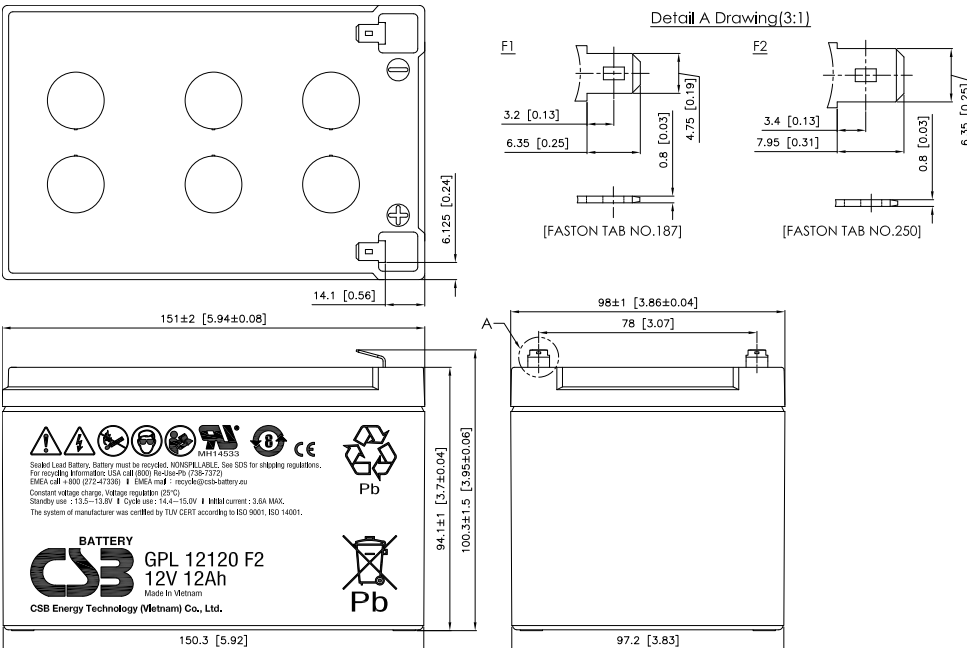
12V Top Terminal VRLA-AGM

Constant Current Discharge Characteristics Unit: A (25°C, 77°F)

F.V/Time	5MIN	10MIN	15MIN	30MIN	60MIN	90MIN	2HR	3HR	5HR	8HR	10HR	20HR
10.02V (1.67 VPC)	44.0	31.4	23.0	13.4	7.32	5.11	3.96	2.81	1.83	1.24	1.01	0.62
10.50V (1.75 VPC)	40.3	29.4	21.9	13.0	7.14	5.00	3.88	2.76	1.80	1.22	0.99	0.60
10.80V (1.80 VPC)	37.6	27.5	20.7	12.6	6.92	4.87	3.80	2.70	1.77	1.20	0.97	0.59

Constant Power Discharge Characteristics Unit: W (25°C, 77°F)

F.V/Time	5MIN	10MIN	15MIN	30MIN	60MIN	90MIN	2HR	3HR	5HR	8HR	10HR	20HR
10.02V (1.67 VPC)	475	339	255	151	84.5	59.7	46.6	33.2	21.6	14.6	12.1	6.24
10.50V (1.75 VPC)	443	322	246	149	83.5	58.9	46.0	32.9	21.4	14.4	11.8	6.19
10.80V (1.80 VPC)	416	306	235	144	81.0	57.4	44.9	32.0	21.0	14.2	11.6	6.09



* F1 terminal is available, Max Discharge Current = 150 A (5sec)



GPL Series

GPL 12260 Datasheet

12V Top Terminal VRLA-AGM



Specifications

Voltage (Vdc)	12
Nominal Capacity (1.75 VPC @25°C)	26 Ah @20hr-rate
Ah Capacity (8-Hr 1.75 VPC @ 25°C)	26.72
Ah Capacity (20-Hr 1.75 VPC @ 25°C)	29.00
Ah Capacity (8-Hr 1.80 VPC @ 25°C)	26.00
Max Charge Current (A)	7.80
Max Discharge Current (A)	350
Short Circuit Current (A)	662
Internal Resistance (mΩ)	Approx. 9.6
Terminal Type	I1 thread lead alloy terminal to accept M5 bolt
Terminal Torque	30.4±6.1 Kgf·cm / 26.4±5.3 Lbf·in / 3.0±0.6 N·m
Container Material	ABS (UL 94-HB) & Flame Retardant (94-V0) available upon request
Weight (kg. / lb., Approx.)	8.30 / 18.29
Length (L) (mm / in)	166.0±2.0 / 6.54±0.08
Width (W) (mm / in)	175.0±2.0 / 6.89±0.08
Height (H) (mm / in)	125.0±1.5 / 4.92±0.06
Design Life	Up to 8 Years in Standby Service at 25°C Eurobat (20°C): 10/12 Years Long Life
Operating Temperature	Nominal: 25°C (77°F) Discharge: -15°C - 50°C (5°F-122°F) Charge/Storage: -15°C - 40°C (5°F - 104°F)
Float Charging Voltage	13.5 - 13.8 Vdc/battery 25°C (77°F)
Eq. Charging Voltage	14.4 - 15.0 Vdc/battery 25°C (77°F)
Self-Discharge	Less than 10% after 90 days, can be stored up to 6 months at 25°C (77°F); Fully recharging is required before usage, and charged sooner if stored at higher temperature than 25°C (77°F).

Valve Regulated Lead Acid (VRLA) Battery

Maintenance-Free, Absorbent Glass Mat (AGM) Technology for Efficient Gas Recombination of up to 99%

Pure Lead Construction and Proprietary Elements

Designed for Float Service Standby Power Applications

Built in Accordance with IEC 61056-1/2:2012 and UL1989 Recognized (MH14533)





GPL Series

GPL 12260 Datasheet

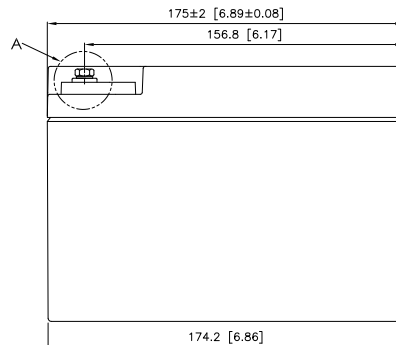
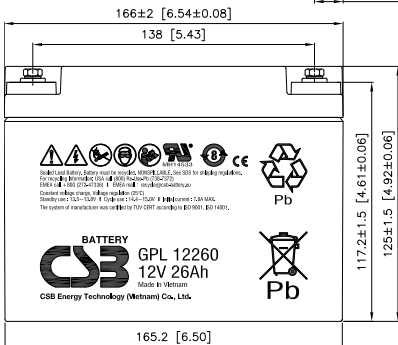
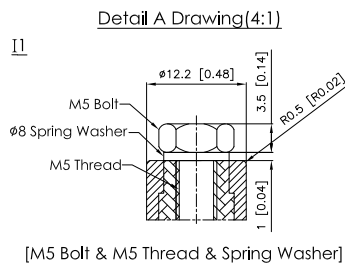
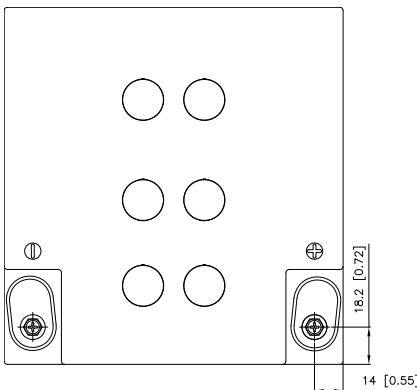
12V Top Terminal VRLA-AGM

Constant Current Discharge Characteristics Unit: A (25°C, 77°F)

F.V/Time	5MIN	10MIN	15MIN	30MIN	60MIN	90MIN	2HR	3HR	5HR	8HR	10HR	20HR
10.02V (1.67 VPC)	100	68.4	51.5	30.9	18.6	13.7	11.0	7.86	5.14	3.41	2.95	1.48
10.50V (1.75 VPC)	88.4	61.2	47.0	29.3	17.9	13.3	10.8	7.66	5.03	3.34	2.90	1.45
10.80V (1.80 VPC)	79.0	56.0	44.1	27.9	17.3	12.9	10.5	7.52	4.91	3.25	2.80	1.42

Constant Power Discharge Characteristics Unit: W (25°C, 77°F)

F.V/Time	5MIN	10MIN	15MIN	30MIN	60MIN	90MIN	2HR	3HR	5HR	8HR	10HR	20HR
10.02V (1.67 VPC)	1034	736	577	355	214	160	131	94.6	61.6	41.5	33.6	17.7
10.50V (1.75 VPC)	965	695	527	338	210	158	129	92.2	60.6	40.5	33.4	17.5
10.80V (1.80 VPC)	892	643	496	323	204	155	127	91.1	59.9	39.4	32.2	17.4





GPL Series

GPL 12400 Datasheet

12V Top Terminal VRLA-AGM



Valve Regulated Lead Acid (VRLA) Battery

Maintenance-Free, Absorbent Glass Mat (AGM) Technology for Efficient Gas Recombination of up to 99%

Pure Lead Construction and Proprietary Elements

Designed for Float Service Standby Power Applications

Built in Accordance with IEC 61056-1/2:2012 and UL1989 Recognized (MH14533)



Specifications

Voltage (Vdc)	12
Nominal Capacity (1.75 VPC @25°C)	40 Ah @20hr-rate
Ah Capacity (8-Hr 1.75 VPC @ 25°C)	40.32
Ah Capacity (20-Hr 1.75 VPC @ 25°C)	44.40
Ah Capacity (8-Hr 1.80 VPC @ 25°C)	39.60
Max Charge Current (A)	12.00
Max Discharge Current (A)	400
Short Circuit Current (A)	1182
Internal Resistance (mΩ)	Approx. 8.5
Terminal Type	12 thread lead alloy terminal to accept M6 bolt
Terminal Torque	51.7±10.3 Kgf·cm / 44.9±9.0 Lbf·in / 5.10±1.0 N·m
Container Material	ABS (UL 94-HB) & Flame Retardant (94-V0) available upon request
Weight (kg. / lb., Approx.)	12.92 / 28.48
Length (L) (mm / in)	197.0±2.0 / 7.76±0.08
Width (W) (mm / in)	165.0±2.0 / 6.50±0.08
Height (H) (mm / in)	170.4±2.0 / 6.71±0.08
Design Life	Up to 10 Years in Standby Service at 25°C Eurobat (20°C): 10/12 Years Long Life
Operating Temperature	Nominal: 25°C (77°F) Discharge: -15°C - 50°C (5°F-122°F) Charge/Storage: -15°C - 40°C (5°F - 104°F)
Float Charging Voltage	13.5 - 13.8 Vdc/battery 25°C (77°F)
Eq. Charging Voltage	14.4 - 15.0 Vdc/battery 25°C (77°F)
Self-Discharge	Less than 10% after 90 days, can be stored up to 6 months at 25°C (77°F); Fully recharging is required before usage, and charged sooner if stored at higher temperature than 25°C (77°F).



GPL Series

GPL 12400 Datasheet

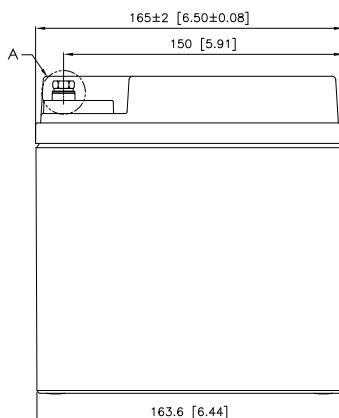
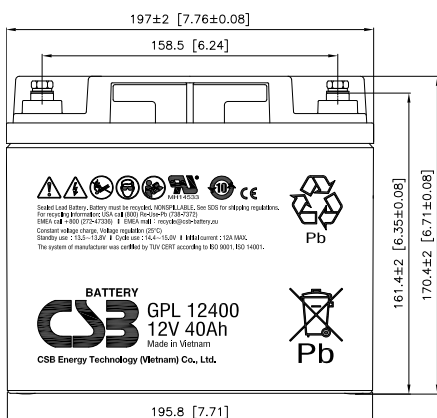
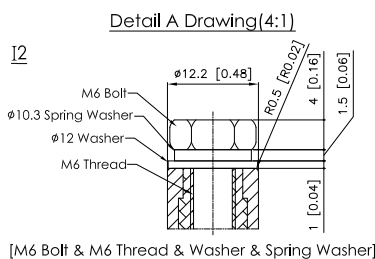
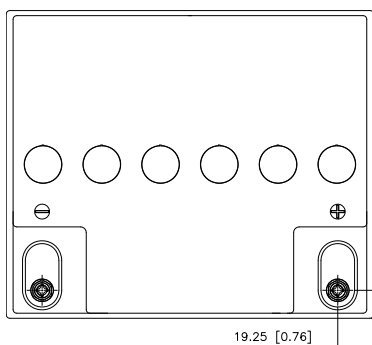
12V Top Terminal VRLA-AGM

Constant Current Discharge Characteristics Unit: A (25°C, 77°F)

F.V/Time	5MIN	10MIN	15MIN	30MIN	60MIN	90MIN	2HR	3HR	5HR	8HR	10HR	20HR
10.02V (1.67 VPC)	153	107	82.0	48.5	28.4	20.7	16.4	11.8	7.65	5.09	4.18	2.24
10.50V (1.75 VPC)	130	96.2	77.5	46.9	27.8	20.5	16.2	11.6	7.56	5.04	4.14	2.22
10.80V (1.80 VPC)	117	87.3	71.0	44.8	27.0	20.0	15.9	11.4	7.41	4.95	4.06	2.18

Constant Power Discharge Characteristics Unit: W (25°C, 77°F)

F.V/Time	5MIN	10MIN	15MIN	30MIN	60MIN	90MIN	2HR	3HR	5HR	8HR	10HR	20HR
10.02V (1.67 VPC)	1552	1122	888	544	324	239	190	137	90.8	60.6	49.8	26.7
10.50V (1.75 VPC)	1404	1038	837	530	319	237	188	135	90.0	60.1	49.4	26.5
10.80V (1.80 VPC)	1226	967	776	511	311	233	185	134	88.5	59.1	48.5	26.1





GPL Series

GPL 12520 Datasheet

12V Top Terminal VRLA-AGM



Valve Regulated Lead Acid (VRLA) Battery

Maintenance-Free, Absorbent Glass Mat (AGM) Technology for Efficient Gas Recombination of up to 99%

Pure Lead Construction and Proprietary Elements

Designed for Float Service Standby Power Applications

Built in Accordance with IEC 60896-21/22:2004 and UL1989 Recognized (MH14533)



Specifications

Voltage (Vdc)	12
Nominal Capacity (1.75 VPC @25°C)	52 Ah @20hr-rate
Ah Capacity (8-Hr 1.75 VPC @ 25°C)	49.36
Ah Capacity (20-Hr 1.75 VPC @ 25°C)	52.00
Ah Capacity (8-Hr 1.80 VPC @ 25°C)	48.32
Max Charge Current (A)	15.60
Max Discharge Current (A)	500
Short Circuit Current (A)	1485
Internal Resistance (mΩ)	Approx. 5.1
Terminal Type	12 thread lead alloy terminal to accept M6 bolt
Terminal Torque	51.7±10.3 Kgf·cm / 44.9±9.0 Lbf·in / 5.10±1.0 N·m
Container Material	PP (UL 94-HB) & Flame Retardant (94-V0) available upon request
Weight (kg. / lb., Approx.)	17.80 / 39.23
Length (L) (mm / in)	228.0±2.5 / 8.98±0.10
Width (W) (mm / in)	138.4±1.5 / 5.45±0.06
Height (H) (mm / in)	206.3±2.5 / 8.12±0.10
Design Life	Up to 10 Years in Standby Service at 25°C Eurobat (20°C): >12 Years Very Long Life
Operating Temperature	Nominal: 25°C (77°F) Discharge: -15°C - 50°C (5°F-122°F) Charge/Storage: -15°C - 40°C (5°F - 104°F)
Float Charging Voltage	13.5 - 13.8 Vdc/battery 25°C (77°F)
Eq. Charging Voltage	14.4 - 15.0 Vdc/battery 25°C (77°F)
Self-Discharge	Less than 10% after 90 days, can be stored up to 6 months at 25°C (77°F); Fully recharging is required before usage, and charged sooner if stored at higher temperature than 25°C (77°F).



GPL Series

GPL 12520 Datasheet

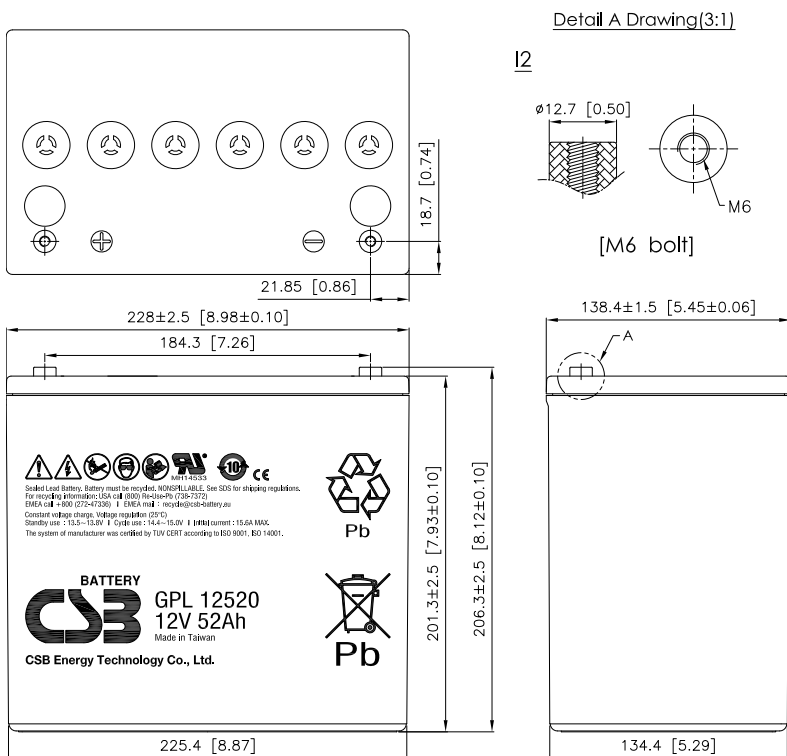
12V Top Terminal VRLA-AGM

Constant Current Discharge Characteristics Unit: A (25°C, 77°F)

F.V/Time	5MIN	10MIN	15MIN	30MIN	60MIN	90MIN	2HR	3HR	5HR	8HR	10HR	20HR
10.02V (1.67 VPC)	208	144	110	64.7	38.1	27.4	21.4	15.0	9.57	6.31	5.15	2.65
10.50V (1.75 VPC)	177	128	103	61.2	37.0	26.7	20.7	14.7	9.44	6.17	5.08	2.60
10.80V (1.80 VPC)	159	119	95.7	58.7	35.7	26.0	20.3	14.3	9.22	6.04	4.94	2.56

Constant Power Discharge Characteristics Unit: W (25°C, 77°F)

F.V/Time	5MIN	10MIN	15MIN	30MIN	60MIN	90MIN	2HR	3HR	5HR	8HR	10HR	20HR
10.02V (1.67 VPC)	2176	1589	1235	748	445	323	247	175	113	74.4	61.2	31.6
10.50V (1.75 VPC)	1914	1449	1160	710	434	315	242	171	111	73.9	60.3	31.3
10.80V (1.80 VPC)	1747	1359	1093	683	419	308	235	169	110	72.4	59.5	30.7





GPL Series

GPL 12650 Datasheet

12V Top Terminal VRLA-AGM



Valve Regulated Lead Acid (VRLA) Battery

Maintenance-Free, Absorbent Glass Mat (AGM) Technology for Efficient Gas Recombination of up to 99%

Pure Lead Construction and Proprietary Elements

Designed for Float Service Standby Power Applications

Built in Accordance with IEC 60896-21/22:2004 and UL1989 Recognized (MH14533)



Specifications

Voltage (Vdc)	12
Nominal Capacity (1.75 VPC @25°C)	65 Ah @20hr-rate
Ah Capacity (8-Hr 1.75 VPC @ 25°C)	63.60
Ah Capacity (20-Hr 1.75 VPC @ 25°C)	70.40
Ah Capacity (8-Hr 1.80 VPC @ 25°C)	62.40
Max Charge Current (A)	19.50
Max Discharge Current (A)	500
Short Circuit Current (A)	1637
Internal Resistance (mΩ)	Approx. 5.3
Terminal Type	12 thread lead alloy terminal to accept M6 bolt
Terminal Torque	51.7±10.3 Kgf·cm / 44.9±9.0 Lbf·in / 5.10±1.0 N·m
Container Material	PP (UL 94-HB) & Flame Retardant (94-V0) available upon request
Weight (kg. / lb., Approx.)	20.8 / 45.9
Length (L) (mm / in)	349.4±2.5 / 13.76±0.1
Width (W) (mm / in)	166.0±2.0 / 6.54±0.08
Height (H) (mm / in)	174.9±2.0 / 6.89±0.08
Design Life	Up to 10 Years in Standby Service at 25°C Eurobat (20°C): >12 Years Very Long Life
Operating Temperature	Nominal: 25°C (77°F) Discharge: -15°C - 50°C (5°F-122°F) Charge/Storage: -15°C - 40°C (5°F - 104°F)
Float Charging Voltage	13.5 - 13.8 Vdc/battery 25°C (77°F)
Eq. Charging Voltage	14.4 - 15.0 Vdc/battery 25°C (77°F)
Self-Discharge	Less than 10% after 90 days, can be stored up to 6 months at 25°C (77°F); Fully recharging is required before usage, and charged sooner if stored at higher temperature than 25°C (77°F).



GPL Series

GPL 12650 Datasheet

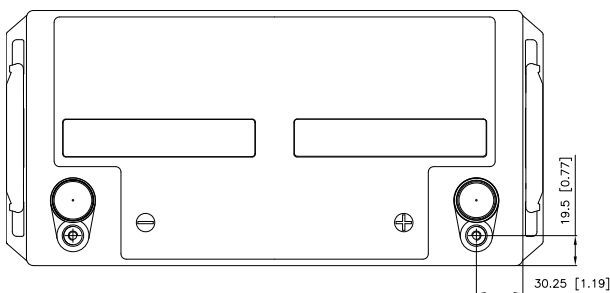
12V Top Terminal VRLA-AGM

Constant Current Discharge Characteristics Unit: A (25°C, 77°F)

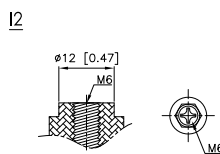
F.V/Time	5MIN	10MIN	15MIN	30MIN	60MIN	90MIN	2HR	3HR	5HR	8HR	10HR	20HR
10.02V (1.67 VPC)	231	163	127	76.8	44.7	32.6	25.8	18.6	12.1	8.05	6.62	3.57
10.50V (1.75 VPC)	200	146	118	73.9	43.7	32.2	25.5	18.4	11.9	7.95	6.54	3.52
10.80V (1.80 VPC)	173	133	107	70.2	42.3	31.4	25.0	18.0	11.7	7.80	6.41	3.45

Constant Power Discharge Characteristics Unit: W (25°C, 77°F)

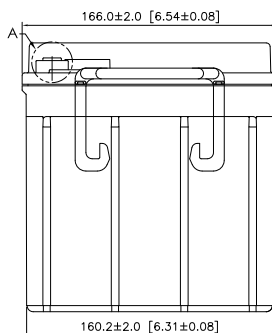
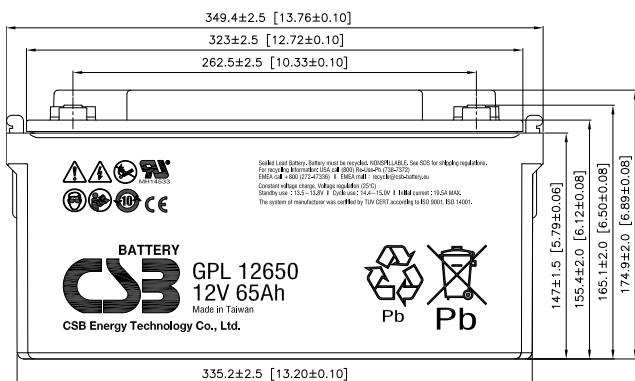
F.V/Time	5MIN	10MIN	15MIN	30MIN	60MIN	90MIN	2HR	3HR	5HR	8HR	10HR	20HR
10.02V (1.67 VPC)	2392	1731	1384	868	513	378	299	216	142	94.6	77.9	42.5
10.50V (1.75 VPC)	2093	1604	1291	841	504	374	296	214	141	93.6	77.0	42.0
10.80V (1.80 VPC)	1856	1497	1192	807	490	366	291	210	138	92.0	75.7	41.3



Detail A Drawing(3:1)



[M6 bolt & nut]





GPL Series

GPL 12800 Datasheet

12V Top Terminal VRLA-AGM



Valve Regulated Lead Acid (VRLA) Battery

Maintenance-Free, Absorbent Glass Mat (AGM) Technology for Efficient Gas Recombination of up to 99%

Pure Lead Construction and Proprietary Elements

Designed for Float Service Standby Power Applications

Built in Accordance with IEC 60896-21/22:2004 and UL1989 Recognized (MH14533)



Specifications

Voltage (Vdc)	12
Nominal Capacity (1.75 VPC @25°C)	80 Ah @20hr-rate
Ah Capacity (8-Hr 1.75 VPC @ 25°C)	75.04
Ah Capacity (20-Hr 1.75 VPC @ 25°C)	80.80
Ah Capacity (8-Hr 1.80 VPC @ 25°C)	73.36
Max Charge Current (A)	24.00
Max Discharge Current (A)	800
Short Circuit Current (A)	1933
Internal Resistance (mΩ)	Approx. 4.0
Terminal Type	12 thread lead alloy terminal to accept M6 bolt
Terminal Torque	51.7±10.3 Kgf·cm / 44.9±9.0 Lbf·in / 5.10±1.0 N·m
Container Material	PP (UL 94-HB) & Flame Retardant (94-V0) available upon request
Weight (kg. / lb., Approx.)	25.60 / 56.42
Length (L) (mm / in)	261.0±2.5 / 10.28±0.10
Width (W) (mm / in)	168.5±2.0 / 6.63±0.08
Height (H) (mm / in)	213.5±2.5 / 8.41±0.10
Design Life	Up to 10 Years in Standby Service at 25°C Eurobat (20°C): >12 Years Very Long Life
Operating Temperature	Nominal: 25°C (77°F) Discharge: -15°C - 50°C (5°F-122°F) Charge/Storage: -15°C - 40°C (5°F - 104°F)
Float Charging Voltage	13.5 - 13.8 Vdc/battery 25°C (77°F)
Eq. Charging Voltage	14.4 - 15.0 Vdc/battery 25°C (77°F)
Self-Discharge	Less than 10% after 90 days, can be stored up to 6 months at 25°C (77°F); Fully recharging is required before usage, and charged sooner if stored at higher temperature than 25°C (77°F).



GPL Series

GPL 12800 Datasheet

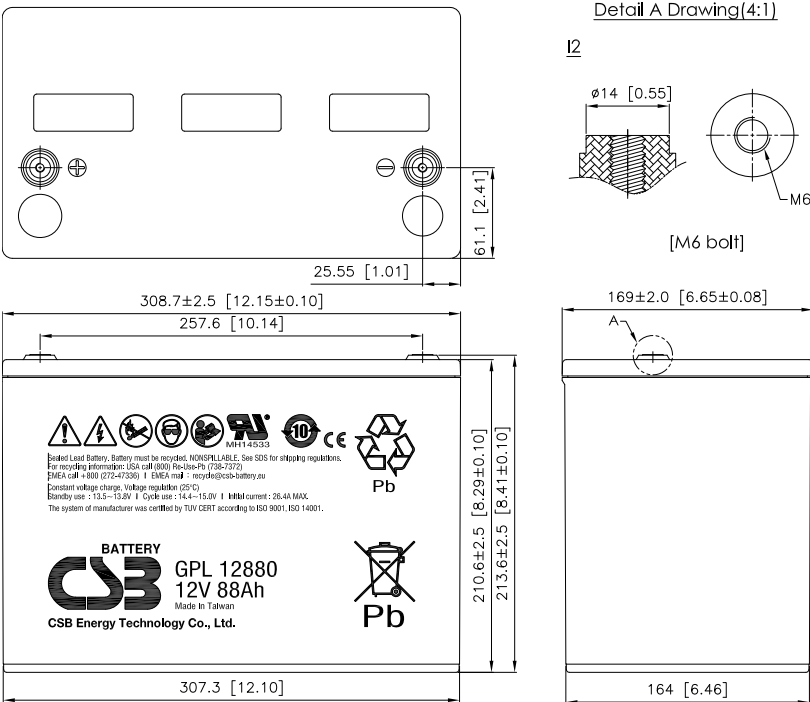
12V Top Terminal VRLA-AGM

Constant Current Discharge Characteristics Unit: A (25°C, 77°F)

F.V/Time	5MIN	10MIN	15MIN	30MIN	60MIN	90MIN	2HR	3HR	5HR	8HR	10HR	20HR
10.02V (1.67 VPC)	274	191	146	86.7	53.2	38.6	30.7	21.7	14.4	9.46	7.78	4.13
10.50V (1.75 VPC)	234	170	139	84.4	51.4	37.4	29.9	21.4	14.1	9.38	7.63	4.04
10.80V (1.80 VPC)	210	158	131	81.9	50.2	36.8	29.5	21.0	13.8	9.17	7.55	3.97

Constant Power Discharge Characteristics Unit: W (25°C, 77°F)

F.V/Time	5MIN	10MIN	15MIN	30MIN	60MIN	90MIN	2HR	3HR	5HR	8HR	10HR	20HR
10.02V (1.67 VPC)	2818	2060	1635	996	612	452	365	260	172	115	92.9	49.4
10.50V (1.75 VPC)	2553	1927	1558	976	603	447	361	257	170	113	92.3	49.0
10.80V (1.80 VPC)	2371	1815	1478	949	592	440	356	254	168	111	91.0	48.7





GPL Series

GPL 121000 Datasheet

12V Top Terminal VRLA-AGM

Specifications

Voltage (Vdc)	12
Nominal Capacity (1.75 VPC @25°C)	100 Ah @20hr-rate
Ah Capacity (8-Hr 1.75 VPC @ 25°C)	95.20
Ah Capacity (20-Hr 1.75 VPC @ 25°C)	103.80
Ah Capacity (8-Hr 1.80 VPC @ 25°C)	94.40
Max Charge Current (A)	30.00
Max Discharge Current (A)	800
Short Circuit Current (A)	2606
Internal Resistance (mΩ)	Approx. 3.2
Terminal Type	12 thread lead alloy terminal to accept M6 bolt
Terminal Torque	51.7±10.3 Kgf·cm / 44.9±9.0 Lbf·in / 5.10±1.0 N·m
Container Material	PP (UL 94-HB) & Flame Retardant (94-V0) available upon request
Weight (kg. / lb., Approx.)	33.50 / 73.83
Length (L) (mm / in)	343.0±2.5 / 13.50±0.10
Width (W) (mm / in)	170.0±2.0 / 6.69±0.0
Height (H) (mm / in)	216.9±2.5 / 8.54±0.10
Design Life	Up to 10 Years in Standby Service at 25°C Eurobat (20°C): >12 Years Very Long Life
Operating Temperature	Nominal: 25°C (77°F) Discharge: -15°C - 50°C (5°F-122°F) Charge/Storage: -15°C - 40°C (5°F - 104°F)
Float Charging Voltage	13.5 - 13.8 Vdc/battery 25°C (77°F)
Eq. Charging Voltage	14.4 - 15.0 Vdc/battery 25°C (77°F)
Self-Discharge	Less than 10% after 90 days, can be stored up to 6 months at 25°C (77°F); Fully recharging is required before usage, and charged sooner if stored at higher temperature than 25°C (77°F).



Valve Regulated Lead Acid (VRLA) Battery

Maintenance-Free, Absorbent Glass Mat (AGM) Technology for Efficient Gas Recombination of up to 99%

Pure Lead Construction and Proprietary Elements

Designed for Float Service Standby Power Applications

Built in Accordance with IEC 60896-21/22:2004 and UL1989 Recognized (MH14533)





GPL Series

GPL 121000 Datasheet

12V Top Terminal VRLA-AGM

Constant Current Discharge Characteristics Unit: A (25°C, 77°F)

F.V/Time	5MIN	10MIN	15MIN	30MIN	60MIN	90MIN	2HR	3HR	5HR	8HR	10HR	20HR
10.02V (1.67 VPC)	375	266	207	125	72.4	51.7	40.7	29.0	18.8	12.1	9.93	5.22
10.50V (1.75 VPC)	317	240	194	120	71.1	50.9	40.2	28.6	18.5	11.9	9.81	5.19
10.80V (1.80 VPC)	283	219	183	115	68.9	49.6	39.3	27.9	18.2	11.8	9.66	5.09

Constant Power Discharge Characteristics Unit: W (25°C, 77°F)

F.V/Time	5MIN	10MIN	15MIN	30MIN	60MIN	90MIN	2HR	3HR	5HR	8HR	10HR	20HR
10.02V (1.67 VPC)	4008	2837	2273	1417	843	607	480	340	222	152	124	63.3
10.50V (1.75 VPC)	3572	2623	2181	1372	830	599	475	337	220	150	122	62.4
10.80V (1.80 VPC)	3184	2442	2049	1316	809	585	465	331	217	148	121	61.4

