

# SENSORMANAGER II

Measuring Extension for the CS121-Series

## ● Monitoring and Administration of Sensor Values in IT-Rooms and Facilities



### SENSORMANAGER II:

8 analog inputs for measuring sensors (e. g. temperature, humidity, etc.)  
4 digital inputs for alarm detectors (e. g. smoke, fire, water, etc.)  
4 digital outputs (e. g. audible and optical alarm indicators, etc.)

#### Applicable with

- CS121 (type: L, SC, R\_II or MINI)
- BACSWEBMANAGER (type: BUDGET or BUDGET\_II/III)
- SITESWITCH 4

## Properties

- Exactly monitoring of temperature, humidity and other measurement values in facilities.
- Detection of damaging system conditions and automatic activities for protection of critical processes like network alarms or shutdowns of servers etc..
- The control and execution of the events can be defined individually via the adjustment of thresholds like the shutdown of the UPS or the system.
- The simple adjustment of the sensor measuring values will be realized via scaling factors. The result is the exactly analysis of the detected values.
- Donated connectivity for up to 8 single, analog sensors like temperature and humidity.
- Equipped with 4 digital outputs and 4 digital inputs. New temperature- and humidity sensors with additional I/O module provide the simple and direct connection without an extra wiring effort.
- The graphical display of the measurement values will be displayed via web-browser, UNMS II, SNMP, ModbusOverIP and/or WAP.
- Optional mounting kit for 35mm DIN rail or wall assembling available.

## NEW! Special Features

- The thresholds of the measurement values for exceed or rather deceed of prior determined values of all 8 analog channels are individual configurable.
- Individual configurable pre-alarm thresholds for all analog channels.
- Separated detection of events for exceed or rather deceed of the thresholds.
- Comfortable control of the Alarm Matrix for the flexible establishment of 8 alarm flags and the configuration of the relay outputs.
- Grafical display of the analog measurement values with the overlay of the tresholds.

## Configuration and Visualizing

Comfortable, graphical overview of the current measurement values and the digital states of the inputs/outputs.



**NEW!**

# Alarm Matrix of the SENSORMANAGER II

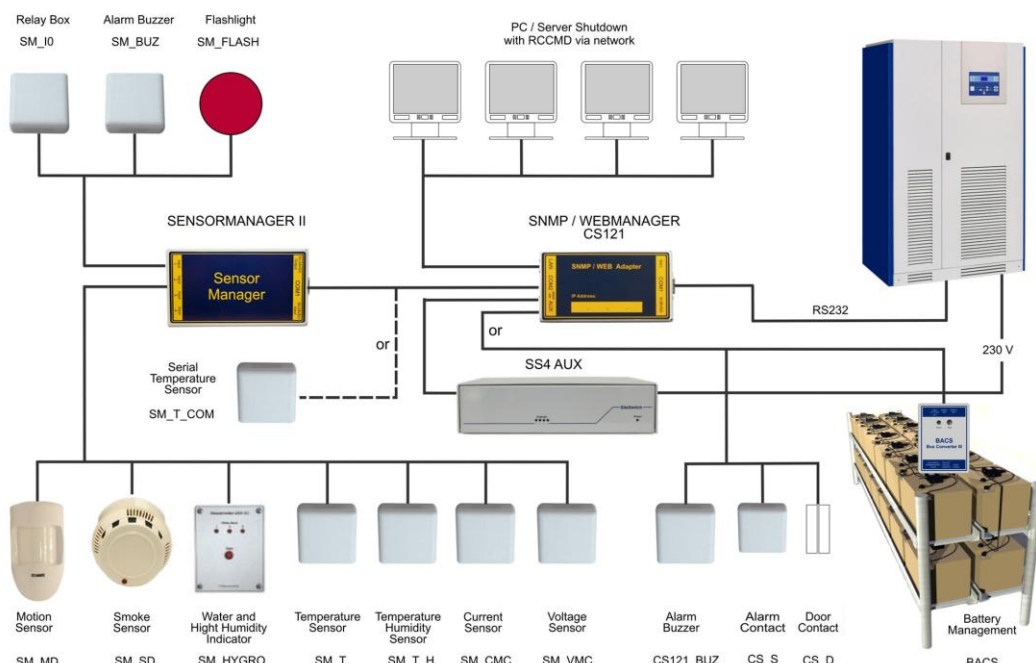
The following "Alarm Matrix" gives you numerous possibilities to configure dependencies between different alarm states and to join them to different outlets. This makes it possible to process an alarm scenario in dependency of the state of several input sensors. (For example: An alarm scenario is to be released only, if two temperature sensors are out of range or if the air condition is not active.)

## Description and Functional Overview

The SENSORMANAGER II is a data measurement and collecting unit, which allows the individual measurement and monitoring of 8 analog measurement devices (0-10V) and 4 digital alarm inputs or 4 outputs (open collectors). Monitoring of temperatures, humidity and other analog data in computer rooms with automated response to system alarms. Alarms can be individually configured and defined for contacts (optoisolated or dry contact) such as fire, smoke and intrusion, and minimum/maximum thresholds values can be set for analog devices such as humidity, temperature and pressure.

Data logging, logging of alarms, automatic shutdowns of network computers, and other actions can be set as reactions to critical alarms. All system operating and configuring can be done remotely via web-browser. The EVENT driven alarm management system of the CS121 informs the administrator of problems and may automatically switch off computers and other devices (optional extensions: SITESWITCH 4 or SITEMANGER).

The SENSORMANAGER II is an extension of the CS121 Webmanager.



# SENSORMANAGER II

Measuring Extension for the CS121-Series



## Technical Data

### SENSORMANAGER II

Power supply	9-24 VDC wide range, 500 mA (with sensors)
Size, weight	70 x 130 mm, 210 g
RS-232 serial interface	1 output, Sub D 9 (cable incl.)
Status LED	Power on / LED: green
Manual	English, German
Operating temperature	0-65 °C
Humidity	10-80%, not condensated
8 analog inputs	0-10 V (0-20mA or 4-20mA on demand)
4 digital inputs	9-24 V
4 digital outputs	9-24V / 100 mA
Certification	CE

## Options for the SENSORMANAGER II

- Temperature sensor
- Combo sensor for temperature and humidity
- Water- and humidity sensor
- True RMS-Converter AC Voltage
- True RMS-Converter AC Current
- Relay Box
- Audible alarm indicator
- Optical alarm indicator
- Breakage of glass sensor
- Motion detector
- Smoke detector
- Door contact
- Current Sensor

